

KFC RED CHAIR PROGRAM

bareka
by KIAN



ABOUT US

Kian[®]

The KIAN Group is a world leader, manufacturer and global provider of high-quality indoor and outdoor furniture to the F&B, hospitality, education, healthcare and corporate workspace industries.

Founded in 1983, KIAN today operates out of 24 international locations to give prompt, first-class service to over 80 markets worldwide.

boreka
by KIAN

KIAN is embarking on a sub-brand journey to enhance focus on product range, depth, and expertise while ensuring effective communication. By establishing sub-brands, we can provide tailored services to meet the unique needs of each customer segment, delivering the best possible experience.

ABOUT US



BAREKA by Kian's sole focus is to effectively outfit F&B establishments – primarily QSRs, Bars, Restaurants and Cafés – with a full-suite of professional and manufacturing services & capabilities catered for your business.

Our name BAREKA was inspired to help customers remember what we do best, saving you time and effort in the process. With your budget and goal in mind, we plan, design, build and install every fixture, fitting and furniture your business requires, whilst managing the entire project from start-to-finish.



- **BAR**
- **RESTAURANT**
- **KAFÉ**

OUR PROMISE TO YOU



Promises are meant to be kept, so we don't make ours lightly. It takes more than just decades-long experience in manufacturing to have a deep understanding of what customers look for in furniture. We're leading the field in the furniture industry because we've invested time in listening to your particular needs and can be relied on to come up with solutions for them.

Our Brand Promise says what you can expect from us.

BETTER DESIGN

Expect higher creativity and better designed systems.

Combining style and performance, our versatile and timeless Original Designs cater to various market segments. Our “better design” mindset is applied to all fields of endeavour to give you better end-to-end service.

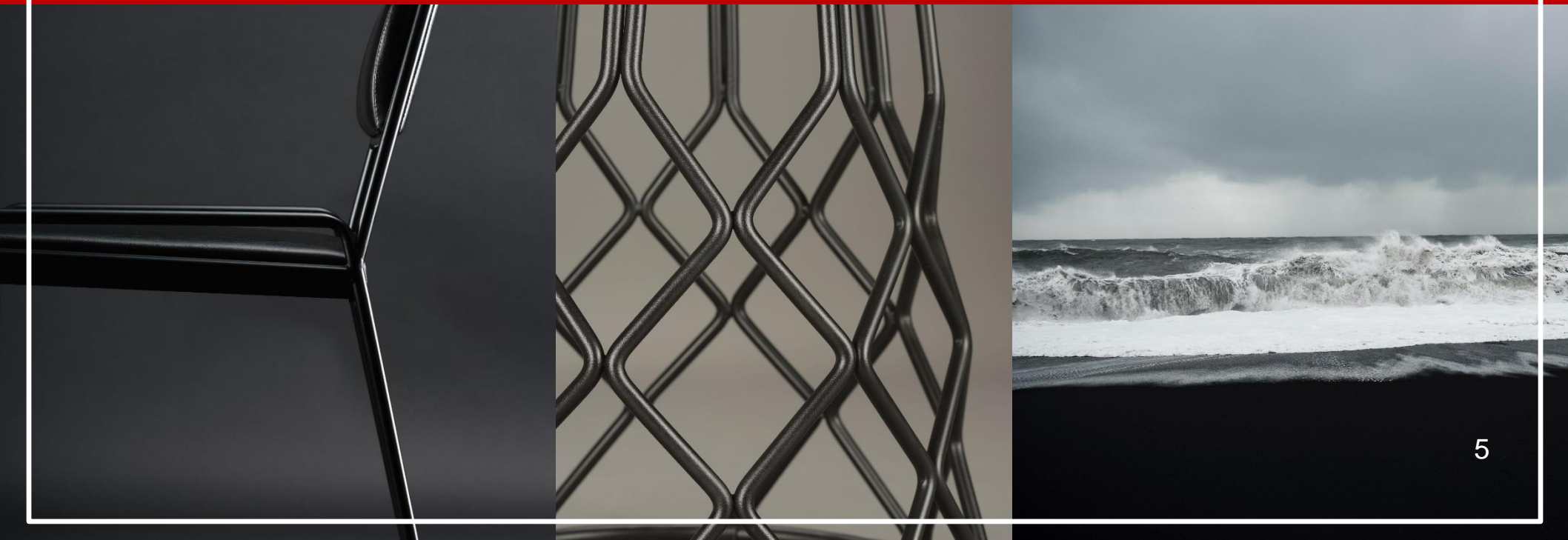
BETTER VALUE

Expect to have peace of mind and convenience. We provide smart and total furniture solutions, prompt responses, and reliable coordinated on-time delivery.

Expect exclusivity and reasonable prices. Our Original Designs are created by award-winning international designers, and cost savings from our LEAN factories are passed on to you.

BETTER WORLD

Expect to engage with a company that has a conscience, one that cares for the environment and for the total wellbeing of its people. We want to help make our world a cleaner, safer, more sustainable home. Partner with us if your business shares a similar vision for greener products and happy employees.



GLOBAL NETWORK, LOCAL SERVICE

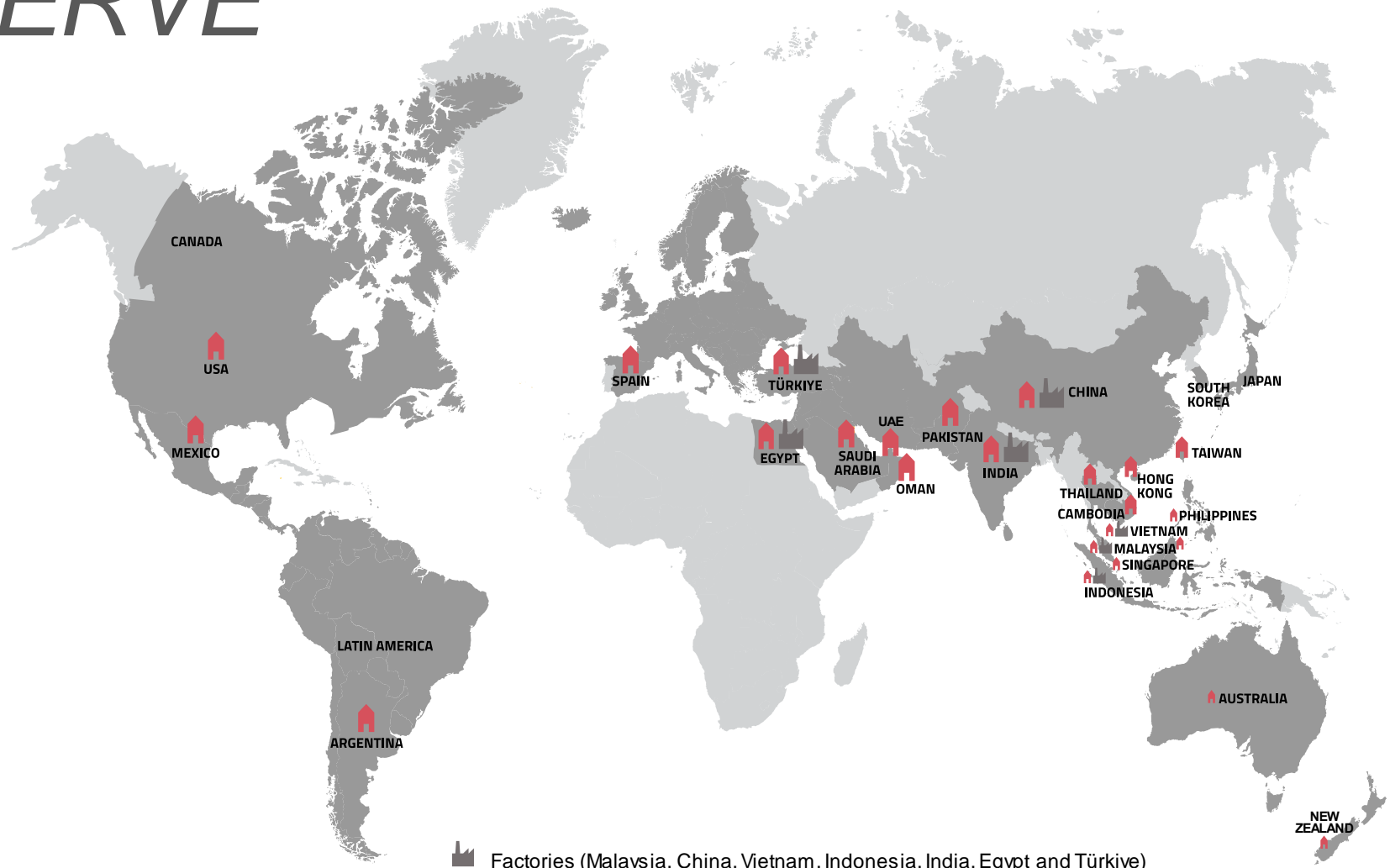
BAREKA by Kian is an approved global furniture solutions provider for YUM! Brands. We are a reputable manufacturer and provider of indoor and outdoor furniture, as well as decorative millwork and lighting.

BAREKA by Kian is among the world's leading go-to solutions provider for the international hospitality industry.

We supply to thousands of stores in over 80 markets worldwide. The regions that we cover are Asia Pacific, MENA, Africa, Latin America, Caribbean, North America, and Europe.

With an extensive base of loyal customers, agents and distributors, BAREKA by Kian enjoys the unprecedented advantage in the furniture industry of a vast network of global partners with storage facilities and skilled local teams who stand ready to assemble the shipped furniture and work with brands even during the development phase.

MARKETS WE SERVE



🏭 Factories (Malaysia, China, Vietnam, Indonesia, India, Egypt and Türkiye)

🏠 KIAN Local / Regional Offices
(Malaysia, Singapore, China, Hong Kong, Taiwan, Indonesia, Thailand, Philippines, Cambodia, Vietnam, Australia, New Zealand, India, Pakistan, Egypt, Spain, Türkiye, USA, Mexico, UK, Argentina, Saudi Arabia, Oman and United Arab Emirates)

● Global Network, Local Service

Founded in 1983 in Malaysia, the mother brand KIAN is an established furniture manufacturer internationally recognised for producing quality furniture. A winner of numerous awards almost yearly since 1996, we operate out of 24 international locations with appointed representatives in several countries to service over 80 nations worldwide. Among our strengths is our close collaboration with several regionally and internationally lauded award-winning furniture designers to produce inspired, original high-quality furniture items that are unique to KIAN.

TOTAL SOLUTIONS PROVIDER

When sourcing for different furniture items from assorted places, the common challenges faced by franchised Quick-Service Restaurants (QSRs) include standardising the look and branding of all their restaurants, and coordinating with multiple sources.

With our vast and in-depth knowledge of the particular requirements and challenges related to furniture and décor for the QSR and hospitality industries, we can help you avoid the hassle mentioned above. We are capable of simultaneously delivering global specifications approved lightings, décor and furniture to where you are –all in a box.

Everything you need to furnish your establishment is ready-manufactured, promptly transferred from our factories, and expertly packed into a single container to be shipped out from one of our locations to your doorstep. You save on expenses, time, and consistent branding across all outlets is guaranteed!

DESIGN SERVICES



WHAT WE PROVIDE

- STORE CONCEPTUALISATION
- STORE DESIGN
- STORE LAYOUT
- FURNITURE
 - Tables
 - Chairs
 - Décor

Tell us about the concept you have in mind for your restaurant or show us your guidebook. Once we know exactly what you're looking for, we consult with interior designers or architects to develop the furniture or store design. We also provide interior designers with the necessary tools (block drawing, file rendering, swatches, technical drawing) to speed up the design process and save time. BAREKA by Kian has been successfully outfitting international QSR establishments since 2006, so we're familiar with the particular needs of the industry.

MANUFACTURING

BAREKA by Kian is powered by a specialised value-engineering team, high-tech machines and impassioned artistes.

With over 40 years of industry experience behind us, we know how to combine functionality with beauty, make innovative use of materials and techniques, produce cost-effective and creative high quality furniture packages, and get our designs to market ahead of the competition.



WEAVING



ROBOTIC WELDING MACHINE

PLASTIC INJECTION



WOOD WORKING



ROTARY MOULDING



UPHOLSTERY



FINISHING



TESTING LAB

STRINGENT QUALITY TESTING

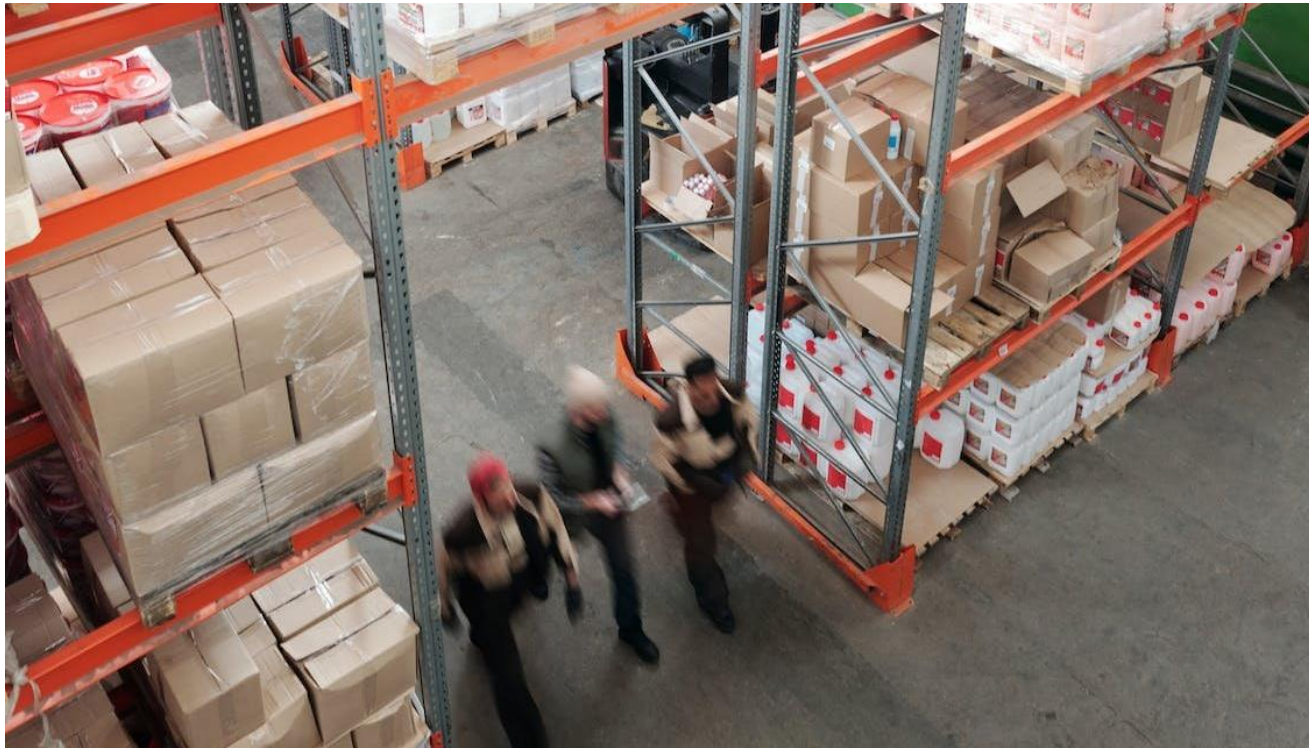


SGS Commissioned In-House
Test Lab & ISO 9001:2015
Certification

BAREKA by Kian's in-house lab facility tests our products for reliability and durability to ensure that they meet international standards. Our no-nonsense Quality Control team also carries out stringent checks on production and quality before final delivery. To give our customers extra peace of mind, all BAREKA by Kian's products have a two-year warranty against manufacturing defects*.

* Terms and conditions apply.

DELIVERY & INSTALLATION



Our people pack each item with care and every precaution is taken to ensure that the products won't be damaged en route to their destinations. We can deliver our products to your doorstep on time wherever you are in the world. Just tell us where and how you would like the products to be shipped. (EXW/FOB/CIF/DDU/DDP)

If installation is required, we will station a BAREKA by Kian's site supervisor and installer(s) at the project site to complete the job, in any country you're in. An installation manual is also provided.



***INDOOR
FURNITURE***

STRING TIE CHAIR (METAL LEG) - RED



STC 01 STRING TIE CHAIR (WOODEN LEG)

Size:
W425 x D500 x H820 x SH450mm

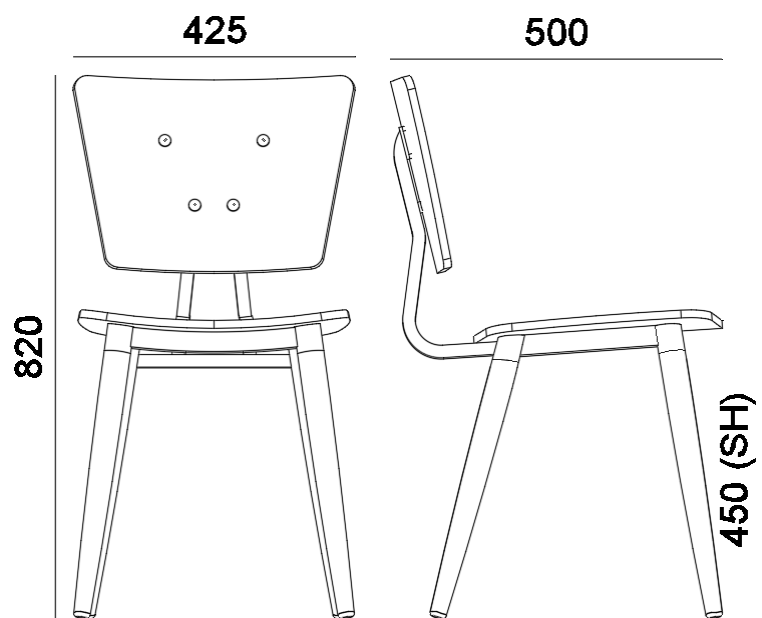
Specifications:

- Bent ply shell with optional laminate
- Mild steel frame in optional selected powder coating
- Wooden leg in natural finish

Packing :
2 pcs / 1 carton



Line Drawing



Colours

Frame	Shell (Bend Ply)	Leg (Wooden)
		
M5 – Red Gloss	5478 Sand Oak	Natural Finish

STC 02 STRING TIE CHAIR (WOODEN LEG)

Size:
W425 x D500 x H820 x SH450mm

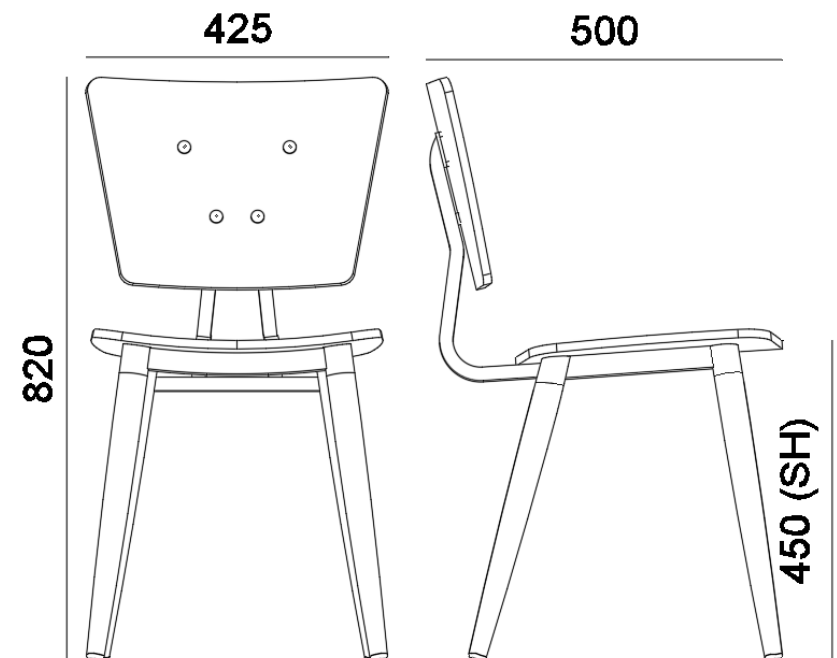
Specifications:

- Bent ply shell with optional laminate
- Mild steel frame in optional selected powder coating
- Wooden leg in natural finish

Packing :
2 pcs / 1 carton



Line Drawing



Colours

Frame	Shell (Bend Ply)	Leg (Wooden)
		
M2 – Textured Black	8315-8577	Natural Finish

STC 03 STRING TIE CHAIR (METAL LEG)

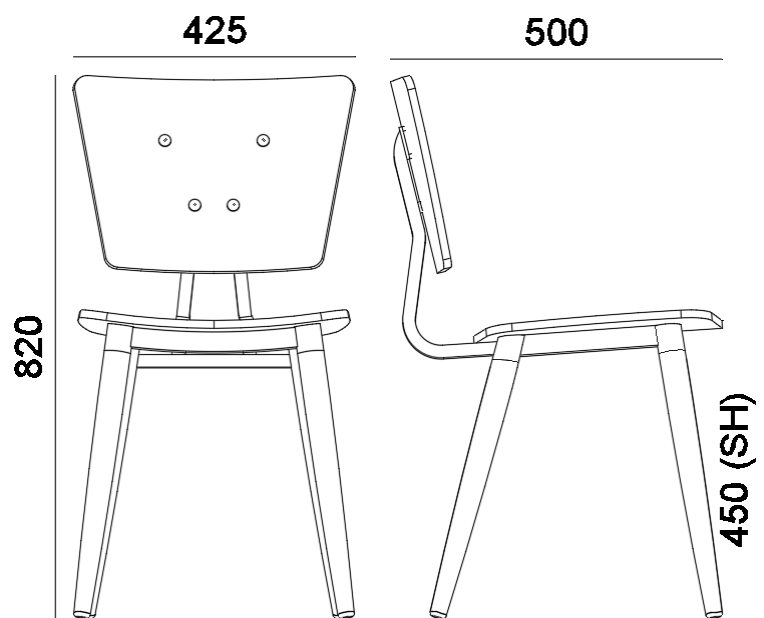
Size:
W425 x D500 x H820 x SH450mm

- Specifications:**
- Bent plywood seat and back with selected laminate
 - Mild steel frame in powder-coat finish

Packing :
2 pcs / 1 carton



Line Drawing

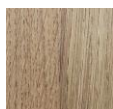


Colours

Frame & Leg Shell (Bend Ply)



M5 –
Red Gloss



5478
Sand
Oak

STC 04 STRING TIE CHAIR (METAL LEG)

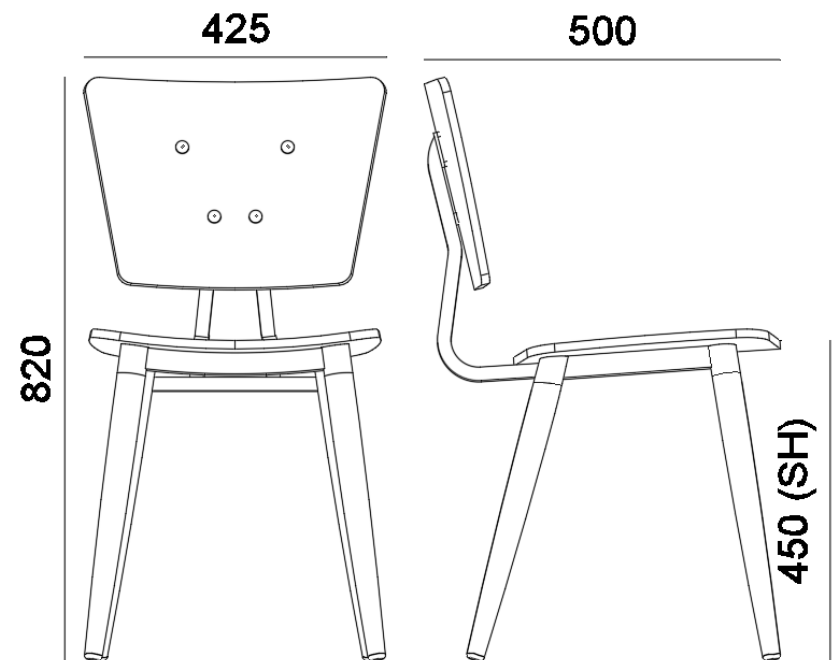
Size:
W425 x D500 x H820 x SH450mm

- Specifications:**
- Bent plywood seat and back with selected laminate
 - Mild steel frame in powder-coat finish

Packing :
2 pcs / 1 carton



Line Drawing



Colours

Frame & Leg Shell (Bend Ply)



M2 –
Textured
Black



8315-8577

ISPC02 ISP CHAIR

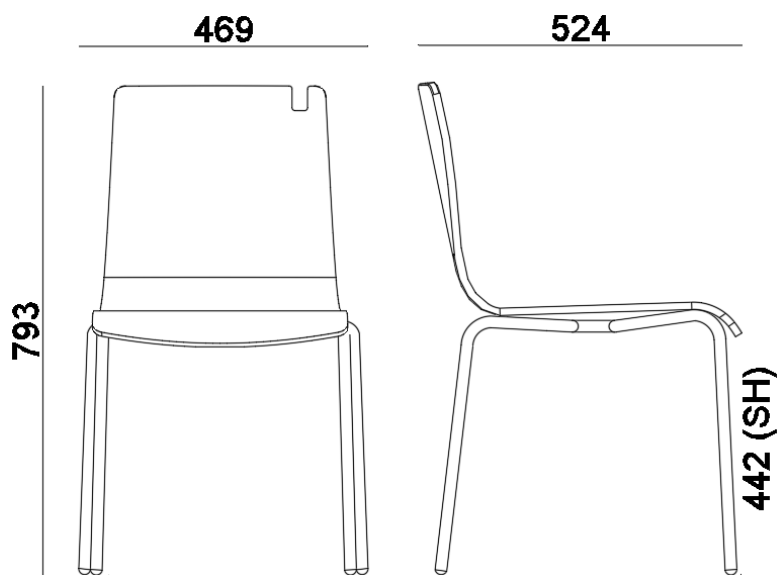
Size:
W469 x D524 x H793 x SH442mm

- Specifications:**
- Bent ply shell with laminate
 - Mild steel base in selected powder coating

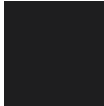

Packing :
2 pcs / 1 carton



Line Drawing



Colours

Frame	Shell (Laminate)	
	ISPC01	ISPC02
		
M2 – Textured Black	D471-60 Red	Grey

RS01 RED STOOL

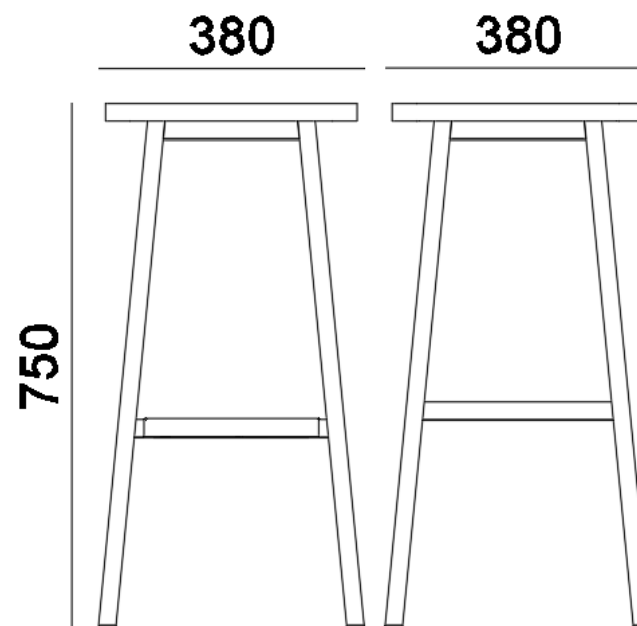
Size:
W380 x D380 x H750mm

- Specifications:**
- Solid wooden seat in natural finish
 - Metal leg in selected finish
 - Footrest in stainless steel brushed finish




Packing :
1 pc / 1 carton



Line Drawing



Colours

Frame & Leg	Seat Panel (Wooden)	Footrests
		
M5 – Red Gloss	Natural Finish	Stainless Steel Brushed Finish

RED STOOL



S01 OPTION 1 LOW STOOLS

Size:
Ø350 x H460mm

Specifications:

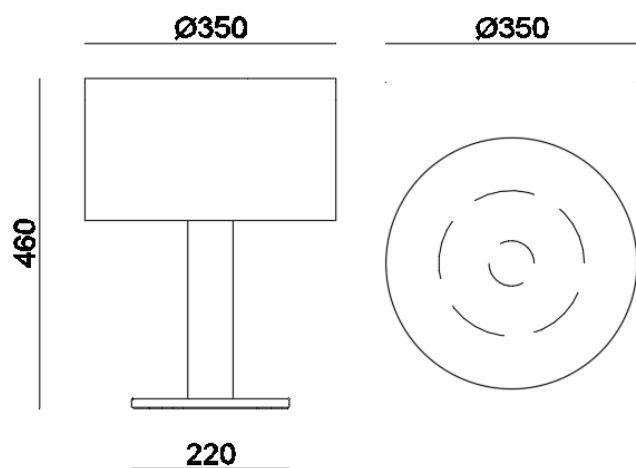
- Upholstery seat
- Mild steel post and base in powder coat finish

Packing :

1 pc / 1 carton



Line Drawing



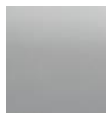
Colours

Post / Base



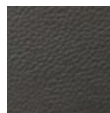
M2 –
Textured
Black

Base Cover



Stainless
Steel
Brushed
Finish

Seat (Upholstery)



6208 Dark
Grey Vinyl

S01 OPTION 2 LOW STOOLS

Size:
Ø350 x H460mm

Specifications:

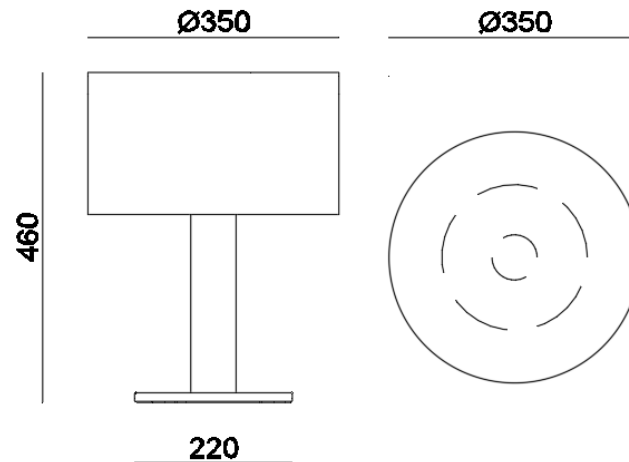
- Upholstery seat
- Mild steel post and base in powder coat finish

Packing :

1 pc / 1 carton



Line Drawing



Colours

Post / Base



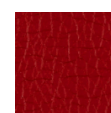
M2 –
Textured
Black

Base Cover



Stainless
Steel
Brushed
Finish

Seat (Upholstery)



5959
Red Vinyl

HS01 OPTION 1 HIGH STOOLS

Size:
Ø350 x H750mm

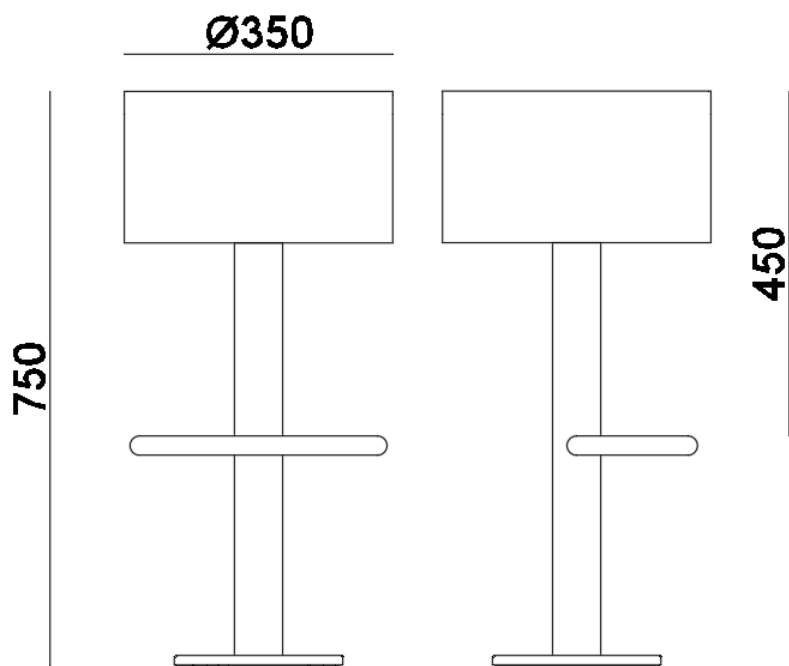
Specifications:

- Upholstery seat
- Mild steel post and base in powder coat finish
- Stainless steel footrest in brushed finish

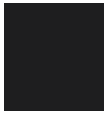


Packing :
1 pc / 1 carton



Line Drawing



Colours

Post / Base	Base Cover	Seat (Upholstery)
 M2 – Textured Black	 Stainless Steel Brushed Finish	 6208 Dark Grey Vinyl

HS02 OPTION 2 HIGH STOOLS

Size:
Ø350 x H750mm

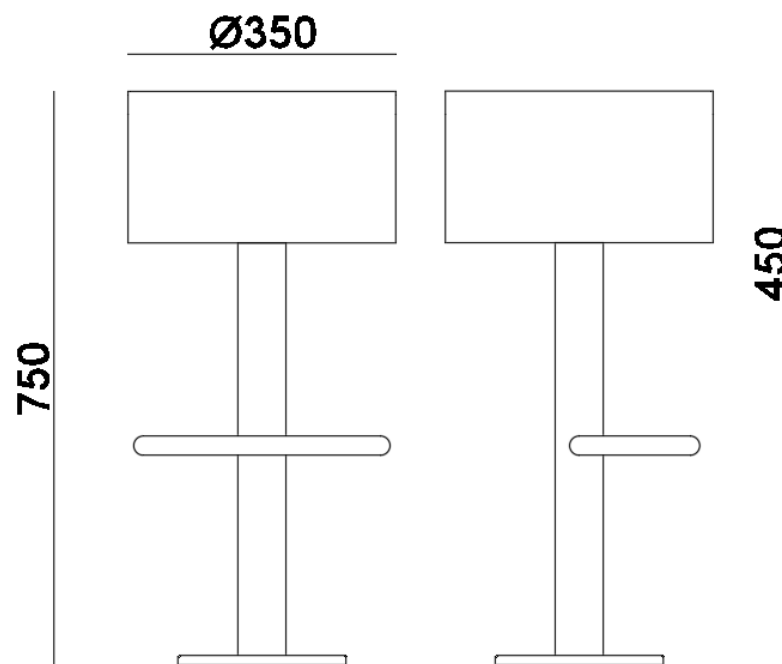
Specifications:

- Upholstery seat
- Mild steel post and base in powder coat finish
- Stainless steel footrest in brushed finish

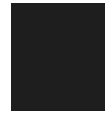

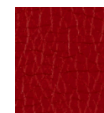
Packing :
1 pc / 1 carton



Line Drawing



Colours

Post / Base	Base Cover	Seat (Upholstery)
 M2 – Textured Black	 Stainless Steel Brushed Finish	 5959 Red Vinyl

SC01 LOW STOOL WITH CUSTOM HPL SEAT

Size:
Ø350 x H460mm

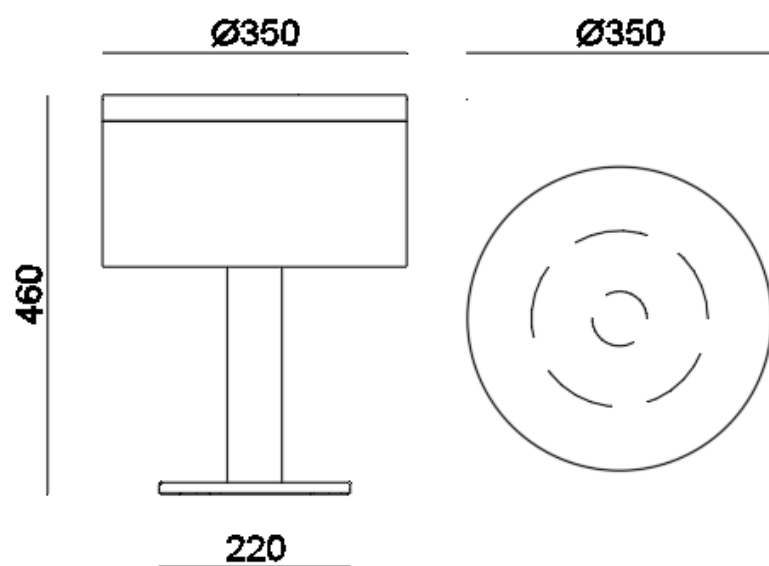
Specifications:

- Upholstery seat with custom print laminate top & clear coat edge
- Mild steel post and base in powder coat finish

Packing :
1 pc / 1 carton



Line Drawing



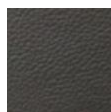
Colours

Post / Base
With cover



M2 –
Textured
Black

Seat
(Upholstery)



6208 Dark
Grey Vinyl

Seat Top
(Laminate)



Custom Print
Wood
Texture

HS02 HIGH STOOL WITH CUSTOM HPL SEAT

Size:
Ø350 x H750mm

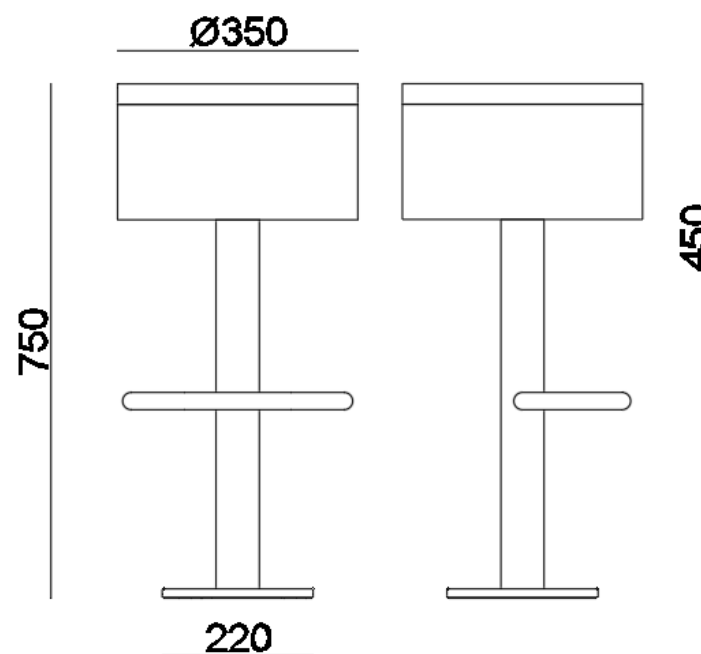
Specifications:

- Upholstery seat with custom print laminate top & clear coat edge
- Mild steel post and base in powder coat finish
- Stainless steel footrest in brushed finish

Packing :
1 pc / 1 carton



Line Drawing



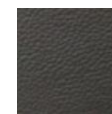
Colours

Post / Base
With cover



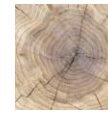
M2 –
Textured
Black

Seat
(Upholstery)



6208 Dark
Grey Vinyl

Seat Top
(Laminate)



Custom Print
Wood
Texture

Footrests



Stainless Steel
Brushed Finish

BCH 02 LOW BENCH

Size:

W1200 x D580 x H950 x SH450mm
 W1400 x D580 x H950 x SH450mm
 W1600 x D580 x H950 x SH450mm

Specifications:

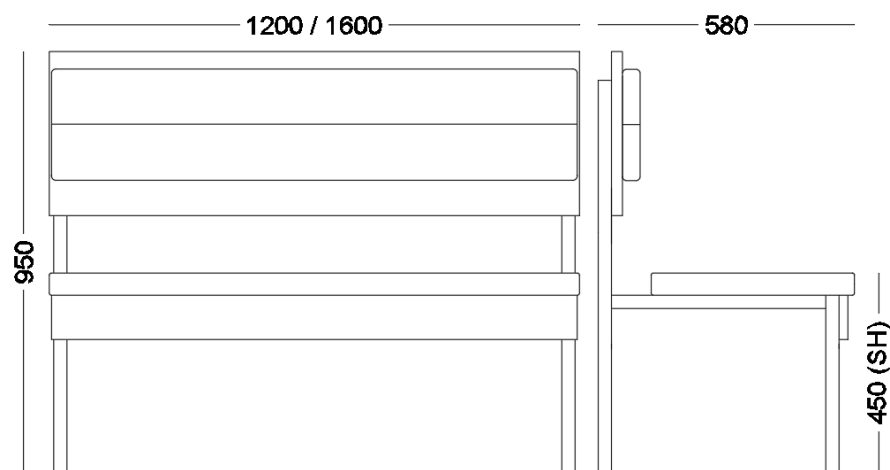
- Upholstery seat pad and backrest in selected vinyl
- Backrest back panel & front seat panel in selected laminate
- Mild steel leg frame in powder coat finish
- Extra center leg for 1600mm (L)



Packing :

1 set / 1 carton

Line Drawing



Colours

Leg (Mild Steel)	Backrest & Seat Pad (Upholstery)	Panel (Backrest & Seat)
		
M2 – Textured BlackRed Vinyl	5959 Sand Oak	5478 Sand Oak

BCH 03 LOW BENCH DOUBLE SIDED

Size:

W1200 x D1130 x H950 x SH450mm
 W1600 x D1130 x H950 x SH450mm

Specifications:

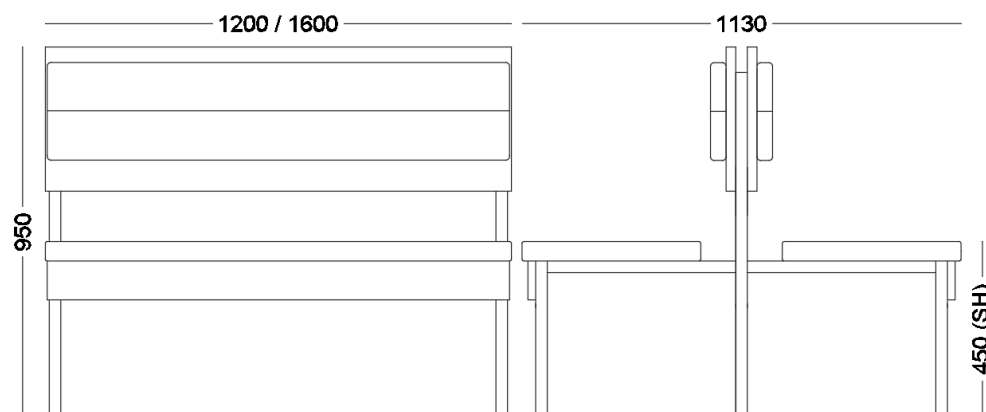
- Upholstery seat pad and backrest in selected vinyl
- Backrest back panel & front seat panel in selected laminate
- Mild steel leg frame in powder coat finish
- Extra center leg for 1600mm (L)



Packing :

1 set / 1 carton

Line Drawing



Colours

Leg (Mild Steel)	Backrest & Seat Pad (Upholstery)	Panel (Backrest & Seat)
		
M2 – Textured Black Red Vinyl	5959 Sand Oak	5478 Sand Oak

BCH04 HIGH BENCH

Size:

W1200 x D580 x H1260 x SH760mm
 W1400 x D580 x H1260 x SH760mm
 W1600 x D580 x H1260 x SH760mm

Specifications:

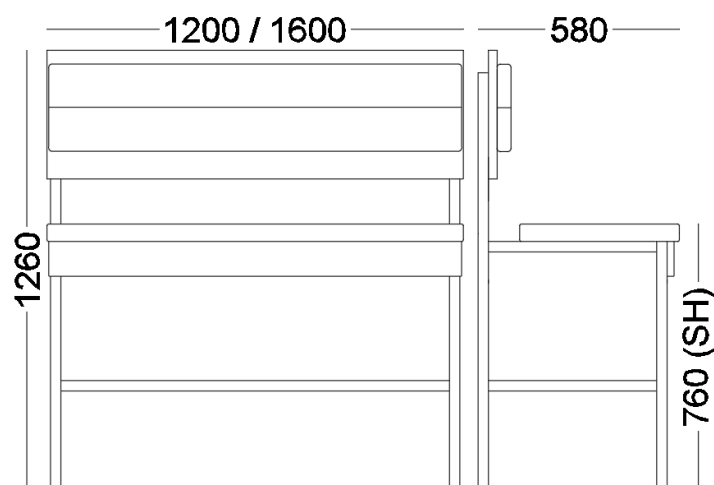
- Upholstery seat and backrest in vinyl
- Backrest back panel & front seat panel in laminate
- Mild steel leg frame in powder coat finish
- Stainless steel footrest
- Extra center leg for 1600mm (L)



Packing :

1 set / 1 carton

Line Drawing



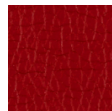
Colours

Leg
(Mild Steel)



M2 –
Textured Black

Backrest & Seat
Pad (Upholstery)



5959
Red Vinyl

Panel
(Backrest & Seat)



5478
Sand Oak

WP01 WAITING PERCH

Size:

W1200 x D300 x H1350 x SH756mm
 W1800 x D300 x H1350 x SH756mm

Specifications:

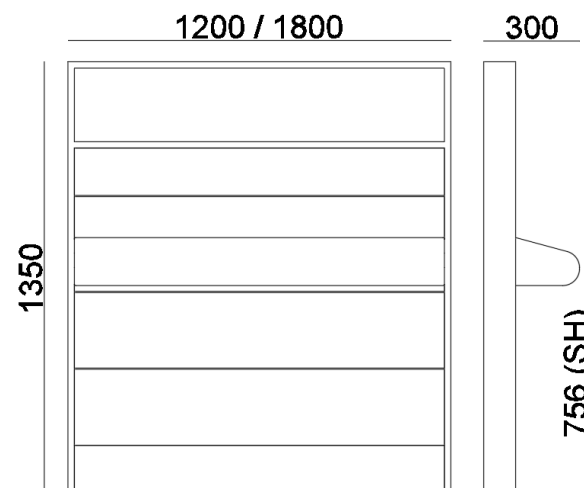
- Metal frame & skirting in selected powder coat finish
- Panel in selected laminate finish
- W1800 needed centre vertical tube support
- Upholstery seat pad in selected vinyl



Packing :

1 set / 1+ carton

Line Drawing



Colours

Panel



8315-8577

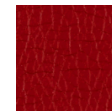
Frame &
Skirting



M2 –

Textured Black

Seat Pad
(Upholstery)



5959

Red Vinyl

BCH 01 COMMUNITY TABLE BENCH

Size:

W1300 x D450 x H450mm
 W1700 x D450 x H450mm
 W1900 x D450 x H450mm

Specifications:

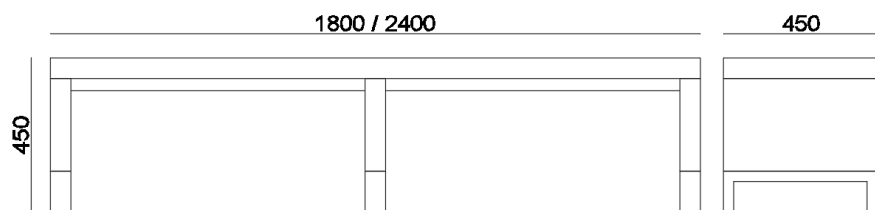
- Seat & side panel in laminate with closed match edging
- Metal frame & leg in selected powder coat finish
- Required center leg support



Packing :

1 pc / 1 carton

Line Drawing



Colours

Seat & Side
Panel



S106

Leg



M2 –
Textured Black

T05 COMMUNITY TABLE

Size:

W1400 x D700 x H750mm
 W1800 x D700 x H750mm
 W2000 x D700 x H750mm

Specifications:

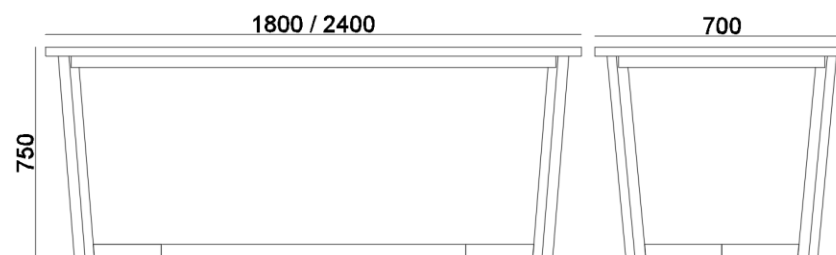
- Tabletop in laminate with closed match edging
- Metal frame & leg in selected powder coat finish
- Graphic Printing on Tabletop



Packing :

1 pcs / 1 carton

Line Drawing



Colours

Tabletop



S106

Leg



M2 –
Textured Black

T01 TABLE TWO TOPS (FIXED BASE)

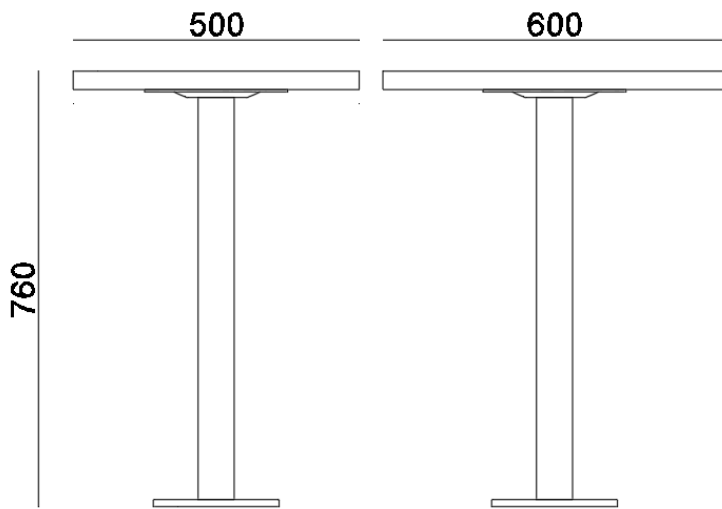
Size:
W500 x D600 x H760mm

- Specifications:**
- Tabletop in optional laminate with optional PVC edge
 - Base in mild steel with selected powder coat finish
 - Stainless steel cover for base



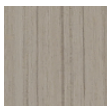



Packing :
1 set / 2 cartons



Line Drawing



Colours

Tabletop Option 1:-		Option 2:-		Base	Base Cover
					
5478 Sand Oak	PVC Edging - Black	8315- 8577	PVC Edging - Black	M2 – Textured Black	Stainless Steel Brushed Finish

T01 TABLE TWO TOPS (FIXED BASE)

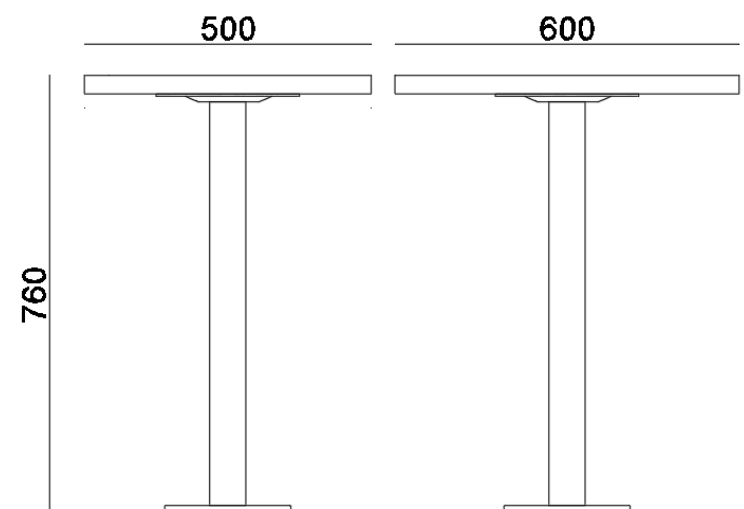
Size:
W500 x D600 x H760mm

- Specifications:**
- Tabletop in optional laminate with optional PVC edge
 - Base in mild steel with selected powder coat finish
 - Stainless steel cover for base





Packing :
1 set / 2 cartons



Line Drawing



Colours

Tabletop Option 3:-		Base	Base Cover
			
D471-60 Red	PVC closed match with 5478 Sand Oak	M2 – Textured Black	Stainless Steel Brushed Finish

T02 TABLE FOUR TOPS (FIXED BASE)

Size:

W1200 x D600 x H760mm
W1600 x D600 x H760mm

Specifications:

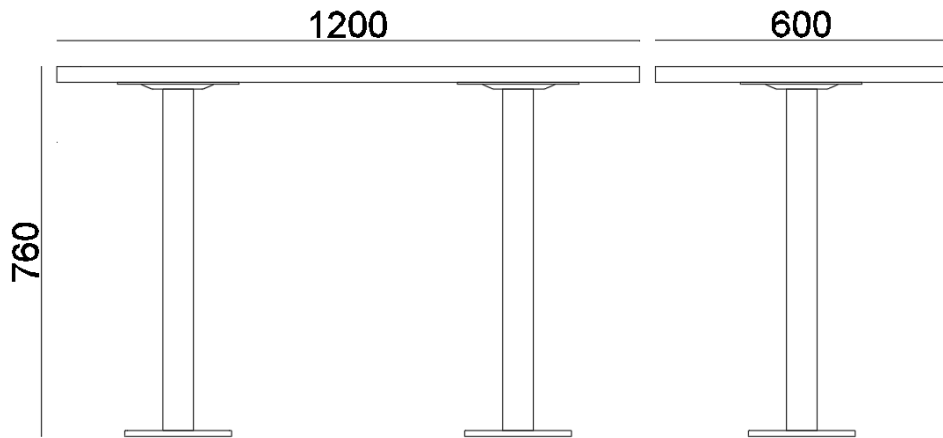
- Tabletop in optional laminate with PVC edge
- Mild steel post and base in powder coat finish
- Stainless steel cover for base
- 1 leg option available upon request for 1200mm



Packing :

1 set / 2 cartons

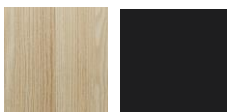
Line Drawing



Colours

Tabletop

Option 1:-



5478 Sand Oak
PVC Edging - Black

Option 2:-



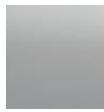
4140 Wilsonart
PVC Edging - Black

Base



M2 - Textured Black

Base Cover



Stainless Steel Brushed Finish

T02 TABLE FOUR TOPS (FIXED BASE)

Size:

W1200 x D600 x H760mm
W1600 x D600 x H760mm

Specifications:

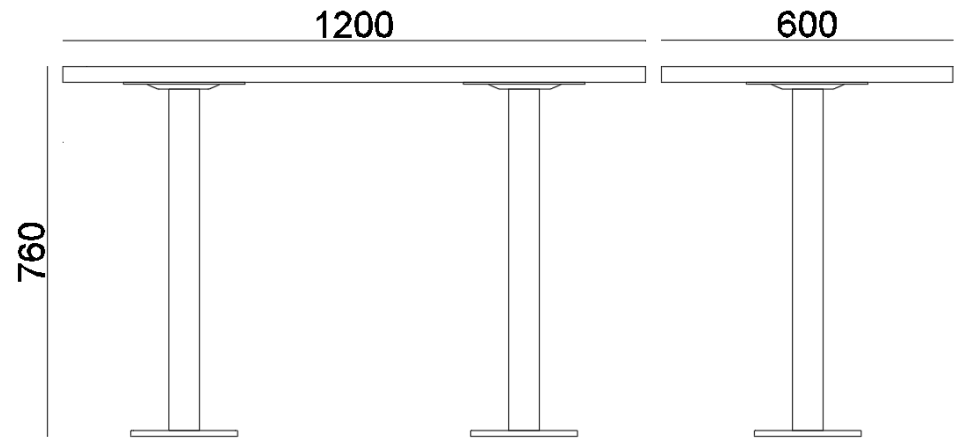
- Tabletop in optional laminate with PVC edge
- Mild steel post and base in powder coat finish
- Stainless steel cover for base
- 1 leg option available upon request for 1200mm



Packing :

1 set / 2 cartons

Line Drawing



Colours

Tabletop

Option 3:-



D471-60 Red
PVC closed match with 5478 Sand Oak

Base



M2 - Textured Black

Base Cover



Stainless Steel Brushed Finish

T03 HIGH ROUND TABLE (FIXED BASE)

Size:

Ø600 x H1050mm

Ø700 x H1050mm

Ø800 x H1050mm

Specifications:

- Tabletop in optional laminate with PVC edge
- Base in mild steel with selected powder coat finish
- Stainless steel cover for base

Packing :

1 set / 2 cartons



T03 HIGH ROUND TABLE (FIXED BASE)

Size:

Ø600 x H1050mm

Ø700 x H1050mm

Ø800 x H1050mm

Specifications:

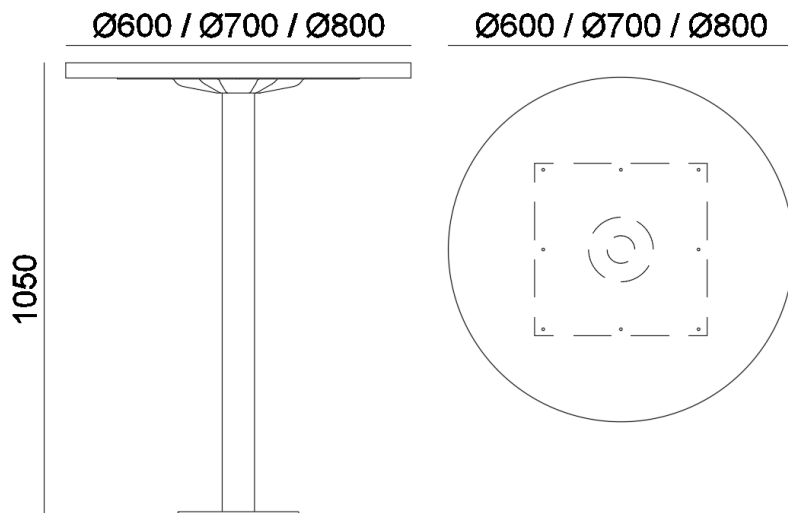
- Tabletop in optional laminate with PVC edge
- Base in mild steel with selected powder coat finish
- Stainless steel cover for base

Packing :

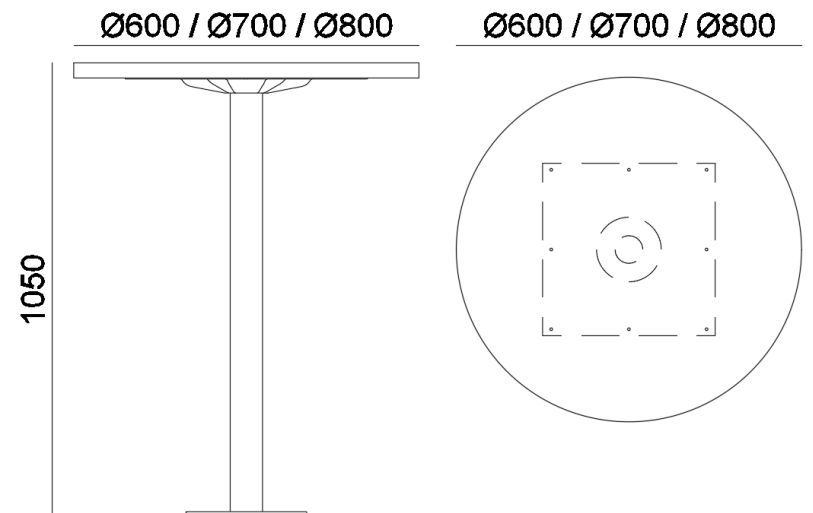
1 set / 2 cartons



Line Drawing



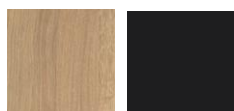
Line Drawing



Colours

Tabletop

Option 1:-



5478 Sand Oak
PVC Edging - Black

Option 2:-



8315-8577
PVC Edging - Black

Base



M2 - Textured Black

Base Cover



Stainless Steel Brushed Finish

Colours

Tabletop

Option 3:-



Red D471-60
PVC closed match with 5478 Sand Oak

Base



M2 - Textured Black

Base Cover



Stainless Steel Brushed Finish

T04 LOW ROUND TABLE (FIXED BASE)

Size:

Ø600 x H760mm

Ø700 x H760mm

Ø800 x H760mm

Specifications:

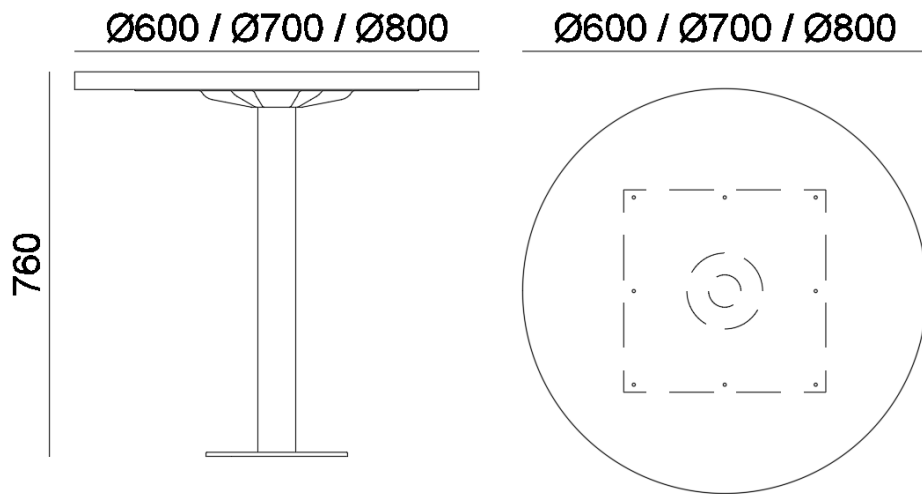
- Tabletop in optional laminate with PVC edge
- Base in mild steel with selected powder coat finish
- Stainless steel cover for base

Packing :

1 set / 2 cartons



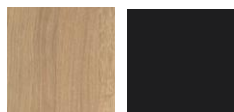
Line Drawing



Colours

Tabletop

Option 1:-



5478 Sand Oak
PVC Edging - Black

Option 2:-



8315-8577
PVC Edging - Black

Base



M2 - Textured Black

Base Cover



Stainless Steel Brushed Finish

T04 LOW ROUND TABLE (FIXED BASE)

Size:

Ø600 x H760mm

Ø700 x H760mm

Ø800 x H760mm

Specifications:

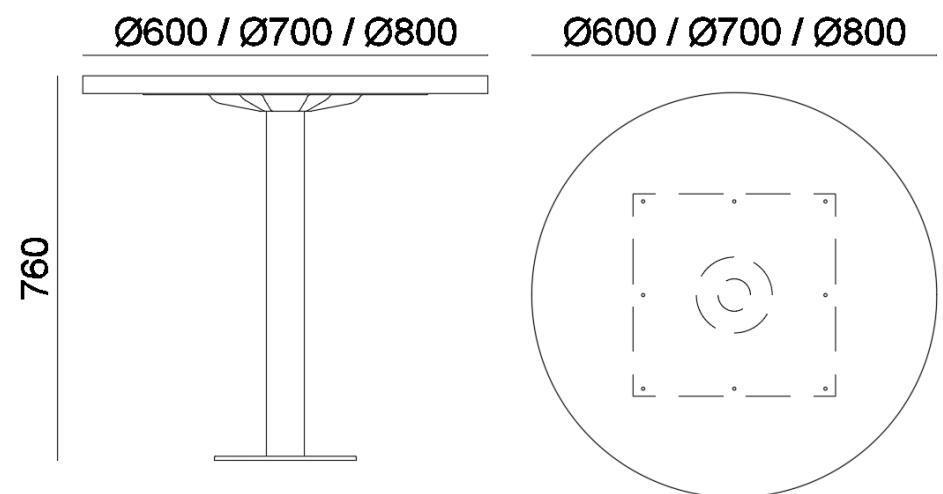
- Tabletop in optional laminate with PVC edge
- Base in mild steel with selected powder coat finish
- Stainless steel cover for base

Packing :

1 set / 2 cartons



Line Drawing



Colours

Tabletop

Option 3:-



D471-60 Red
PVC closed match with 5478 Sand Oak

Base



M2 - Textured Black

Base Cover



Stainless Steel Brushed Finish

OS01 ORDER STATION

Size:

W2000+/- x D525 x H2550mm

Specifications:

- Metal frame & skirting in selected powder coat finish
- Tabletop & panel in selected laminate finish
- Order here sticker
- LED light box behind with white translucent acrylic bowtie and black bowtie & white background are non translucent
- TV screen with bracket excluded

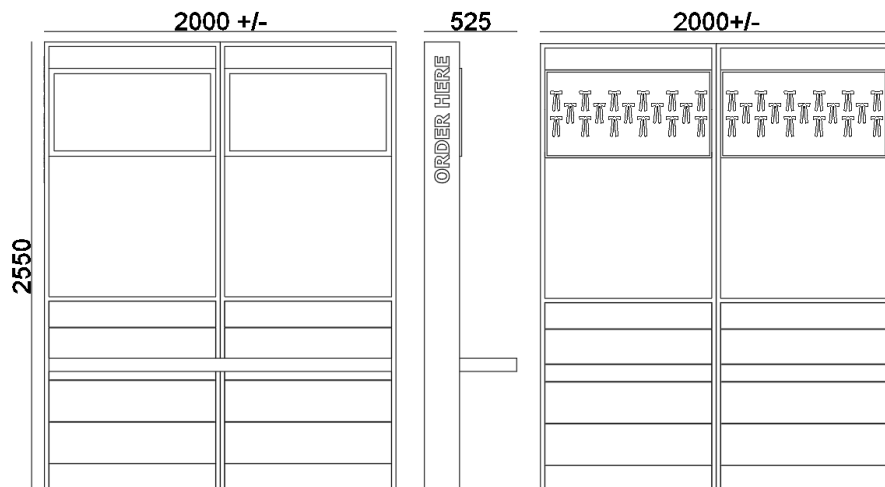


REAR VIEW FRONT VIEW

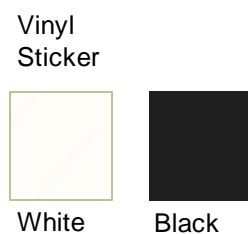
Packing :

1 set / carton+/-

Line Drawing



Colours



OS02 ORDER STATION

Size:

W2000+/- x D200 x H2550mm

Specifications:

- Metal frame & skirting in selected powder coat finish
- Panel in selected laminate finish
- Order here sticker
- LED light box behind with white translucent acrylic bowtie and black bowtie & white background are non translucent
- TV screen with bracket excluded

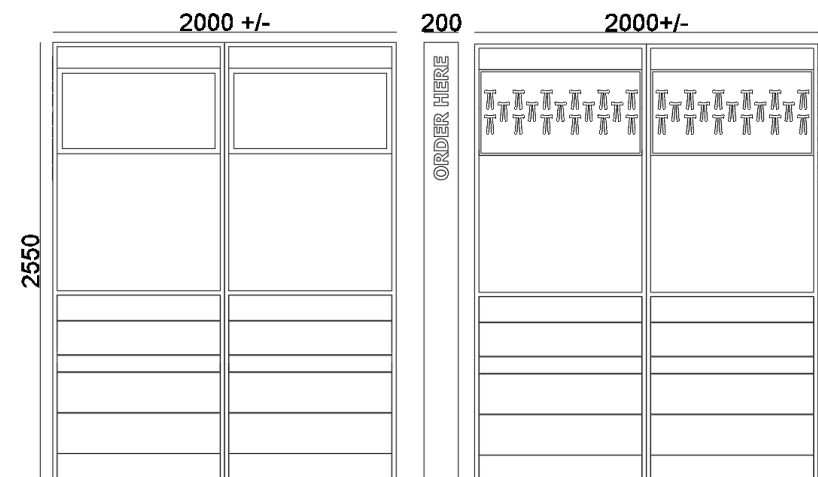


REAR VIEW FRONT VIEW

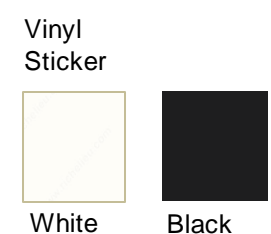
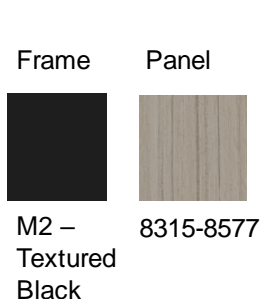
Packing :

1 set / carton+/-

Line Drawing



Colours



D01 HIGH DIVIDER MODULAR

Size:

W600 x D100 x H2450mm
W1200 x D100 x H2450mm
W1800 x D100 x H2450mm

Specifications:

- Metal frame & skirting in selected powder coat finish
- Panel in selected laminate finish

Packing :

1 set / 1+ carton



D02 LOW DIVIDER MODULAR

Size:

W600 x D100 x H1350mm
W1200 x D100 x H1350mm
W1800 x D100 x H1350mm

Specifications:

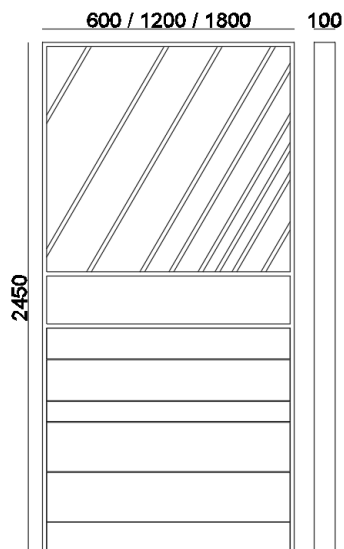
- Metal frame & skirting in selected powder coat finish
- Panel in selected laminate finish
- W1800 needed centre vertical tube support

Packing :

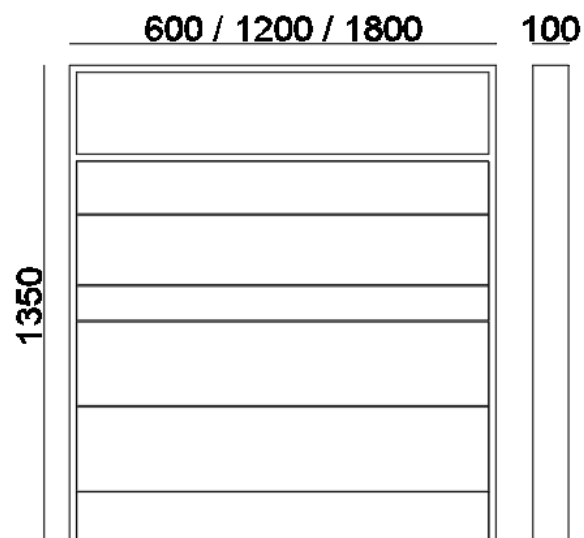
1 set / 1+ carton



Line Drawing



Line Drawing



Colours

Panel	Frame & Skirting
	
8315-8577	M2 – Textured Black

Colours

Panel	Frame & Skirting
	
8315-8577	M2 – Textured Black

TB01 TRASH BIN

Size:
W620 x D680 x H1275

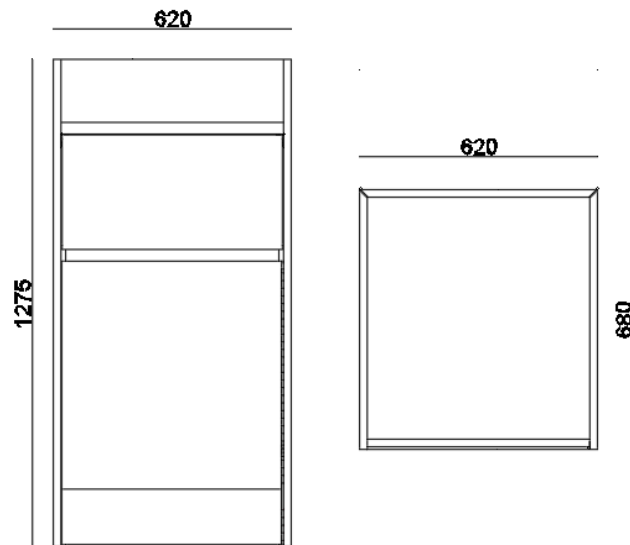
Specifications:

- Top in China premium solid surface
- Laminate surface for entire carcass with acrylic edge included door
- Flipper door & skirting in stainless steel
- Linen bin included





Packing :
1 set / 1 carton



Line Drawing



Colours

Carcass (Laminate)	Edging	Flipper door / skirting	Top
			
D471-60 Red	Wooden look acrylic edging	Stainless steel brushed finish	Snow white solid surface

CP01 CEILING PANEL

Size:
W600 x D600 x H200mm
W1200 x D600 x H200mm

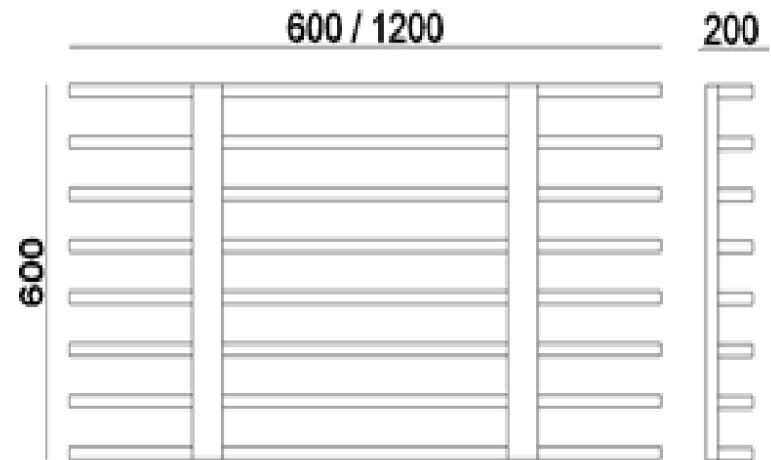
Specifications:

- Wood Grain in natural finish and red color finish
- Fixing hardware included

Packing :
1 set / 1 carton



Line Drawing



Colours

Slatted	
	
Natural finish	186C - Red

FC02 FRONT COUNTER

Size:

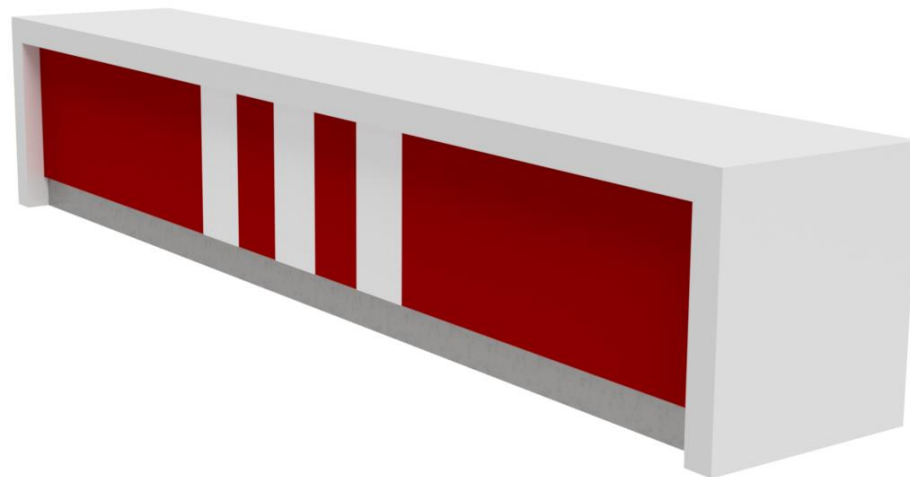
W5000+/- x D870 x H950

Specifications:

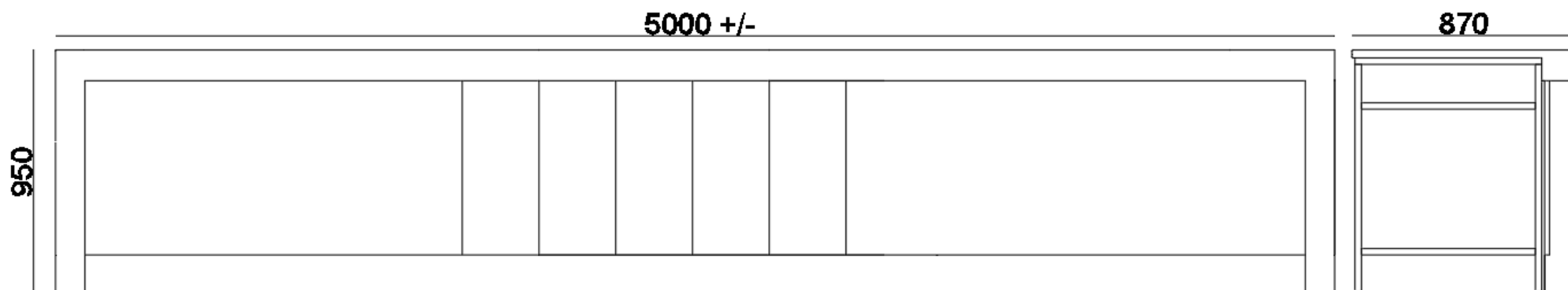
- Top in China premium solid surface
- Laminate front panel with spacer fixing hardware
- Stainless steel skirting
- Modular metal frame carcass in powder coated
- Other length and difference design upon request

Packing :

1 set / 8 cartons +/-



Line Drawing

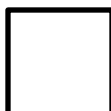


Colours

Front panel
(Laminate)



D471-60
Red



MB223
White

Skirting



Stainless
Steel
Brushed
Finish

Skirting



Snow
white
Solid
surface

Skirting



M2 -
Textured
Black

***LIGHTING
FIXTURES***

LF01 WHITE PENDANT

Size:
Ø350 x H220mm

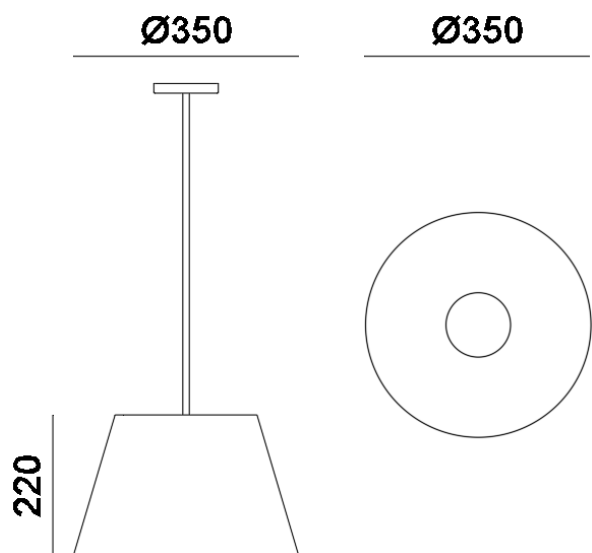
Specifications:

- Lampshade in steel with selected powder coating for inner and outer finish
- Lamp holder & cord in black finish
- Bulb excluded




Packing :
1 set / 1 carton



Line Drawing



Colours

Lamp Holder & Cord	Lampshade (Inner)	Lampshade (Outer)
		
Black	186C - Red	White

LF02 RED PENDANT

Size:
Ø350 x H220mm

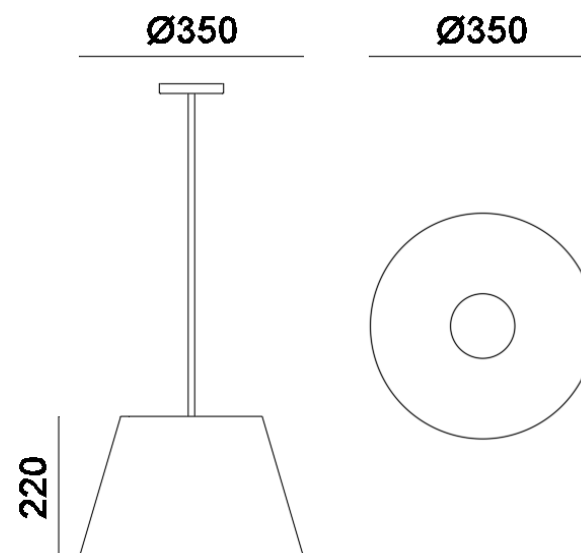
Specifications:

- Lampshade in steel with selected powder coating for inner and outer finish
- Lamp holder & cord in black finish
- Bulb excluded




Packing :
1 set / 1 carton



Line Drawing



Colours

Lamp Holder & Cord	Lampshade (Inner)	Lampshade (Outer)
		
Black	White	186C - Red

LF03 SPOTLIGHT PENDANT

Size:

Ø80 x H125mm

Specifications:

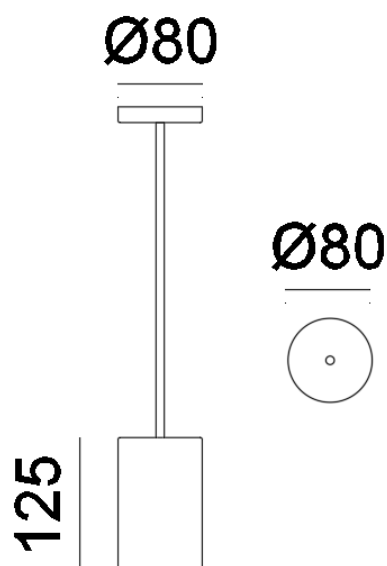
- Lampshade in steel with selected powder coating for inner and outer finish
- Lamp holder & cord in black finish
- Bulb excluded

Packing :

1 set / 1 carton



Line Drawing



Colours

Lamp Holder
& Cord



Black

Lampshade
(Inner)



Bronze

Lampshade
(Outer)



Black

LF04 GLASS PENDANT

Size:

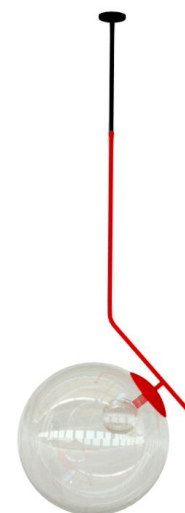
Ø300 x D466 x H1500 to 1900mm

Specifications:

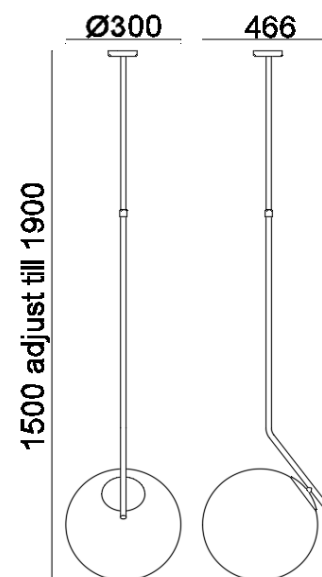
- Lampshade in clear glass
- Lamp holder & cord in red & black finish
- Bulb excluded

Packing :

1 set / 1 carton



Line Drawing



Colours

Lamp Holder
& Cord



Black



186C - Red

***OUTDOOR
FURNITURE***

OTB01 OUTDOOR TRASH BIN

Size:
W530 x D530 x H1175mm

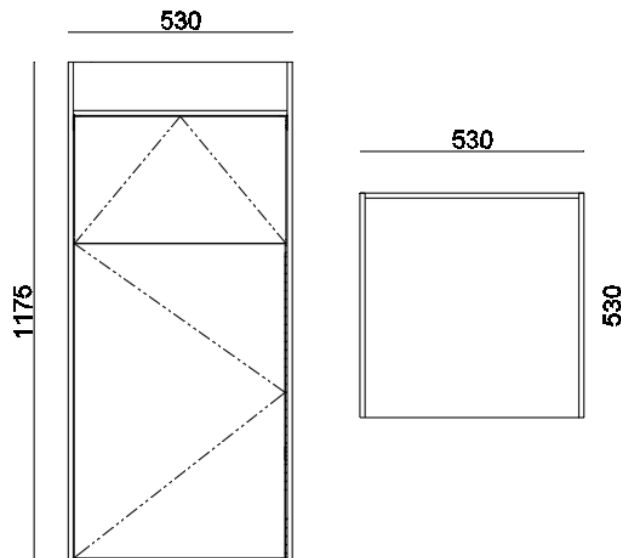
Specifications:

- Entire carcass in compact board including door with mild steel framing
- Flipper door in stainless steel
- Linen bin with castor wheel included

Packing :
1 set / 2 cartons

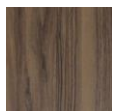


Line Drawing



Colours

Carcass (Compact Board) Flap Door



81162
Walnut



Stainless
steel
brushed
finish

OB01 OUTDOOR BANQUETTE

Size:
W1200 x D1350 x H750 x
SH450mm

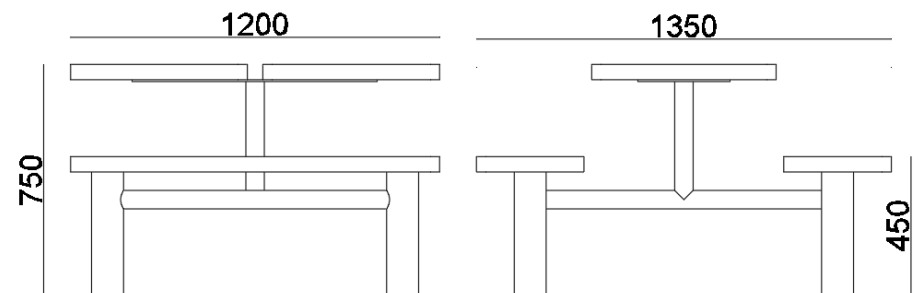
Specifications:

- Mild steel frame in outdoor powder coating finish
- Seat & tabletop in compact board

Packing :
1 set / 2 cartons

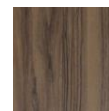


Line Drawing



Colours

Carcass (Compact Board) Frame



81162
Walnut



M-7
Textured
Grey

OT01 OUTDOOR NINO TABLE-S (2 Seats)

Size:
W600 x D600 x H750mm

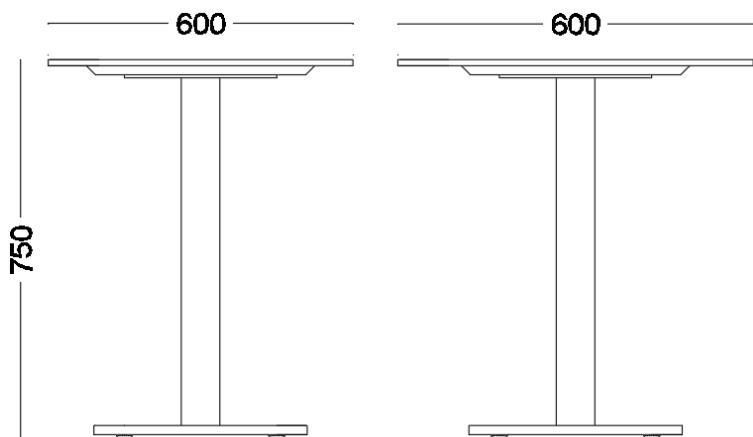
Specifications:

- Sharon base & frame in mild steel with outdoor powder coated
- Tabletop in compact board

Packing :
1 set / 2 cartons

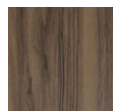


Line Drawing



Colours

Carcass
(Compact Board)



81162
Walnut

Frame



M - 7
Textured
Grey

OT02 OUTDOOR NINO TABLE-S (4 Seats)

Size:
W1200 x D600 x H750mm

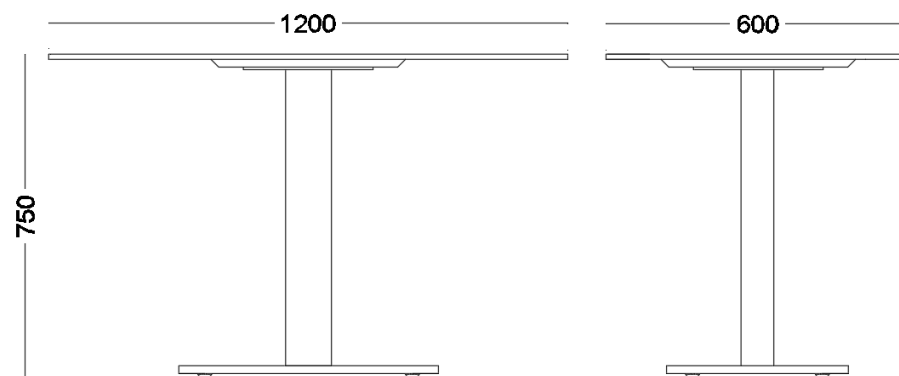
Specifications:

- Sharon base & frame in mild steel with outdoor powder coated
- Tabletop in compact board

Packing :
1 set / 2 cartons

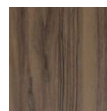


Line Drawing



Colours

Carcass
(Compact Board)



81162
Walnut

Frame



M - 7
Textured
Grey

ORSC01 OUTDOOR RATIO SIDE CHAIR

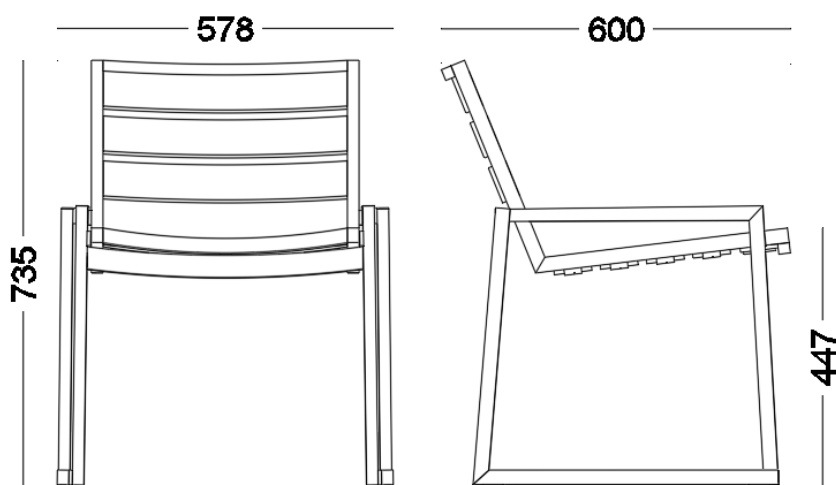
Size:
W578 x D600 x H735 x SH447

- Specifications:**
- Aluminum frame in outdoor powder coated
 - Seat & backrest in artwood

Packing :
1 set / 1 carton



Line Drawing



Colours



OASC01 OUTDOOR ADELA SIDE CHAIR

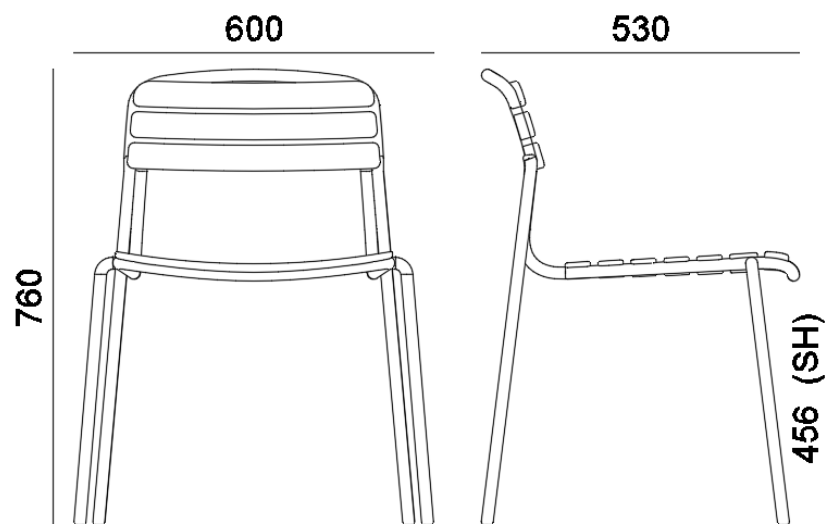
Size:
W600 x D530 x H750mm

- Specifications:**
- Aluminum with outdoor powder coating
 - Seat & backrest in artwood

Packing :
4 set / 1 carton



Line Drawing



Colours



CONTACTS

LATIN AMERICA & GLOBAL



LATIN AMERICA
Cristina Ortega
Regional Director LA&C
T: +54 9 261 639 2119
cristina@kian.com



GLOBAL
Ken Aui
Sales Director
T: +60 12 786 1682
ken_aui@kian.com



Shawn Mercado
YUM! Global Key Accounts Manager
T: +60 12 393 7913
shawn@kian.com



Check out our website today!
www.bareka.solutions

bareka
by KIAN

**BETTER DESIGN
BETTER VALUE
BETTER WORLD**

All renderings and photographs, artist's impressions, plans, measurements and colour representations are intended for illustrative and informative purposes only. They cannot be regarded as representations of fact and are subject to change at any time. Actual finishes and details may vary. No reproduction or republication of this copyrighted catalogue and/or its concept is permitted, whether in whole or in part.